

Accessories: Mounting unit BMF 305-HW-22

Common Data

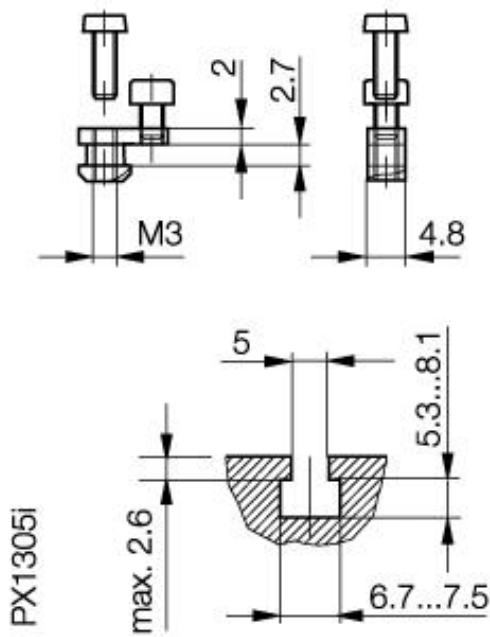
Version
Usable with

Bracket
on BMF 305... on pneumatic
cylinder with T-Nut and width
6.7...7.5mm

Mechanical Data

Measurements WxHxD or Dia x D
Material
Weight
Mounting

11x4.5x4.8
nickel plated brass
2,5
fixed with screw M3x4



Datasheet number::

Definitions see general catalog.
If not otherwise noted, ratings according to
IEC 60947-5-2 (DIN EN60947-5-2)

Balluff GmbH
Schurwaldstrasse 9
73765 Neuhausen a.d.F.
Phone (07158) 173-0 Fax (07158) 5010

Datenblatt by CD-ROM - 04/2007

BALLUFF
sensors worldwide